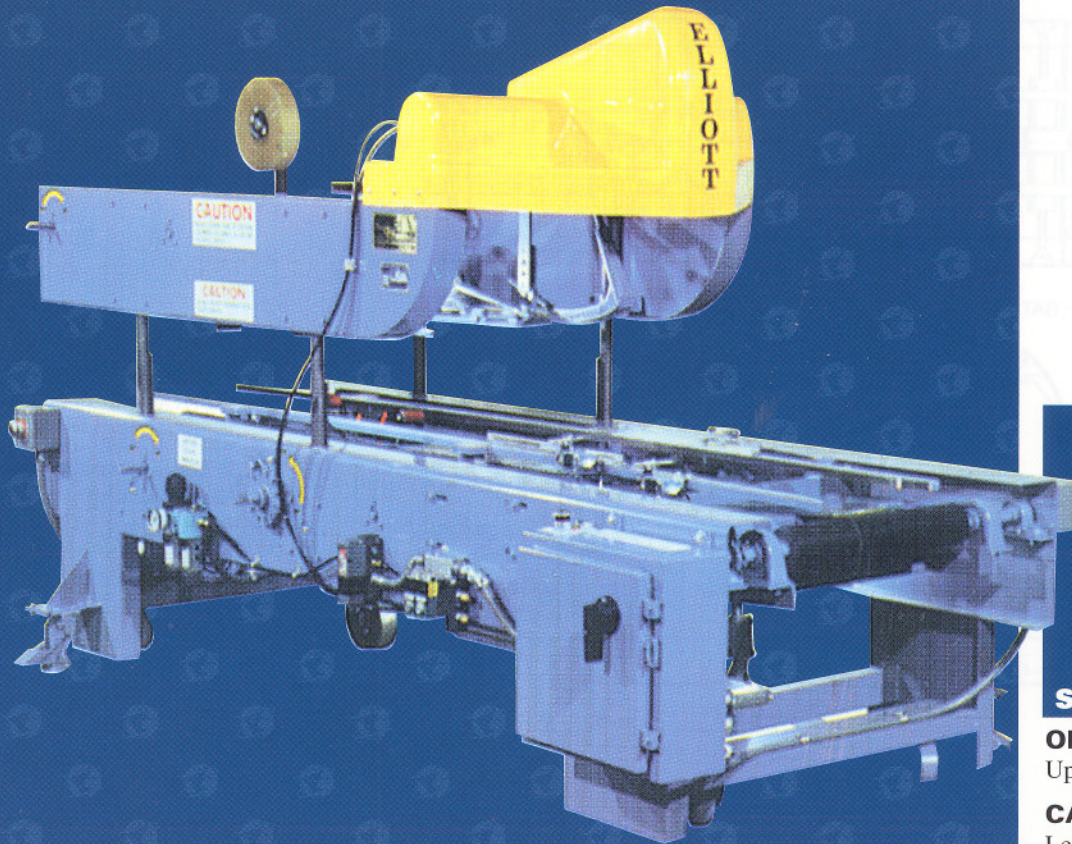


85-AT AUTOMATIC TOP AND BOTTOM CASE TAPER



SPECIFICATIONS

OPERATING SPEEDS

Up to 1,400 cases per hour

CASE RANGE

Length 8" to 23"

Width 6-1/2" to 16"

Height 4-1/2" to 16"

OVERALL DIMENSIONS

Length 8'6"

Width 38"

Infeed Height 24"

ELECTRICAL

460/230 volt, 3 phase, 60 hz

NEMA 12 electrical

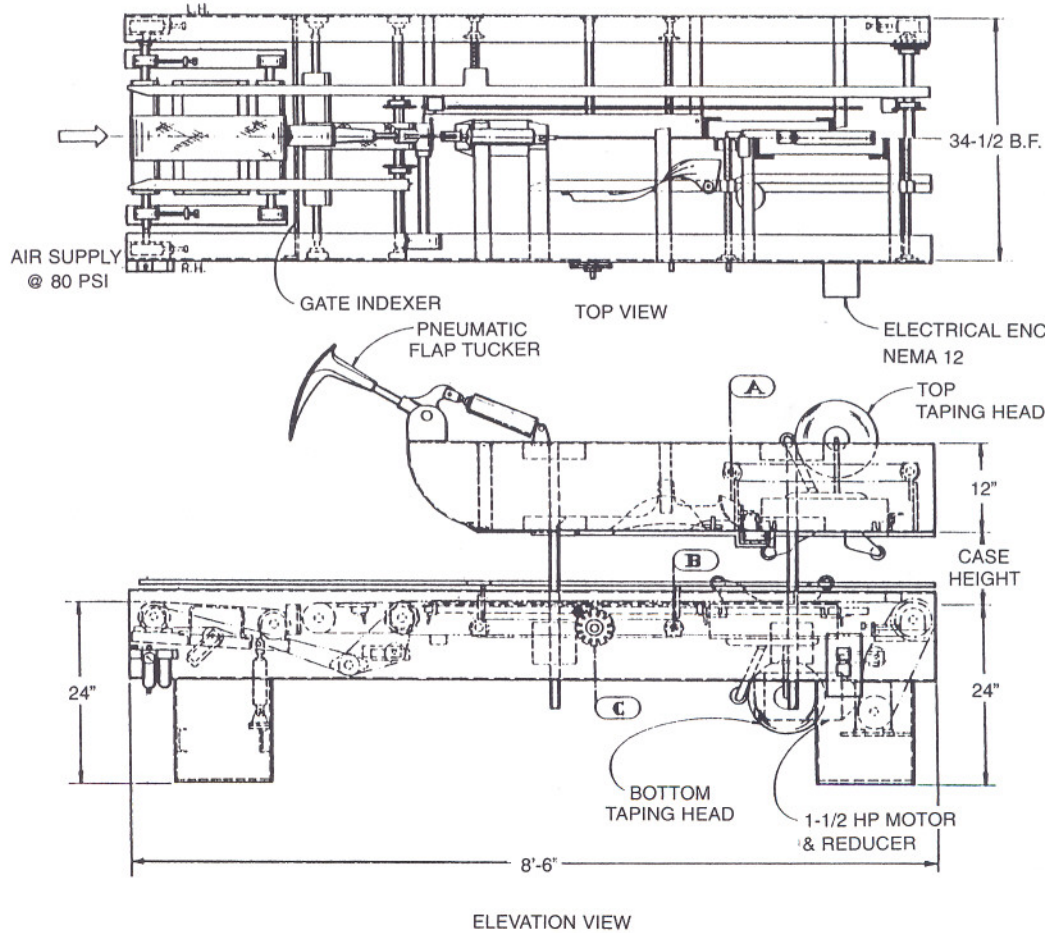
The Elliott Model 85-AT Automatic Case Taper is a compact machine for sealing a wide range of case sizes in a limited space. It is quickly adjustable for changing case sizes. No-case/no-kick automatic flap tucker. The taping machine is built within a single unitized machine frame. Squared cases are assured by case transfer system. Automatic case feeder indexer, right-hand quick change adjustments and safety guards.



Elliott Since 1925
MANUFACTURING

2654 S. Cherry Fresno, CA 93706 559-233-6235
P.O. Box 11777 Fresno, CA 93772 559-233-9833 fax
E-mail: info@elliott-mfg.com
www.elliott-mfg.com

85-AT AUTOMATIC TOP AND BOTTOM CASE TAPER



ADJUSTMENT STATIONS:
 A= WIDTH ADJUSTMENT FOR TOP SIDE COMPRESSION BARS
 B= WIDTH ADJUSTMENT FOR BOTTOM SIDE COMPRESSION BARS
 C= HEIGHT ADJUSTMENT

Elliott Since 1929
 MANUFACTURING

2664 S. Cherry, Fresno, CA 93706 559-233-6255
 P.O. Box 11277, Fresno, CA 93773 559-233-5833 fax
 E-mail: elliottmfg@elliott-mfg.com
www.elliott-mfg.com