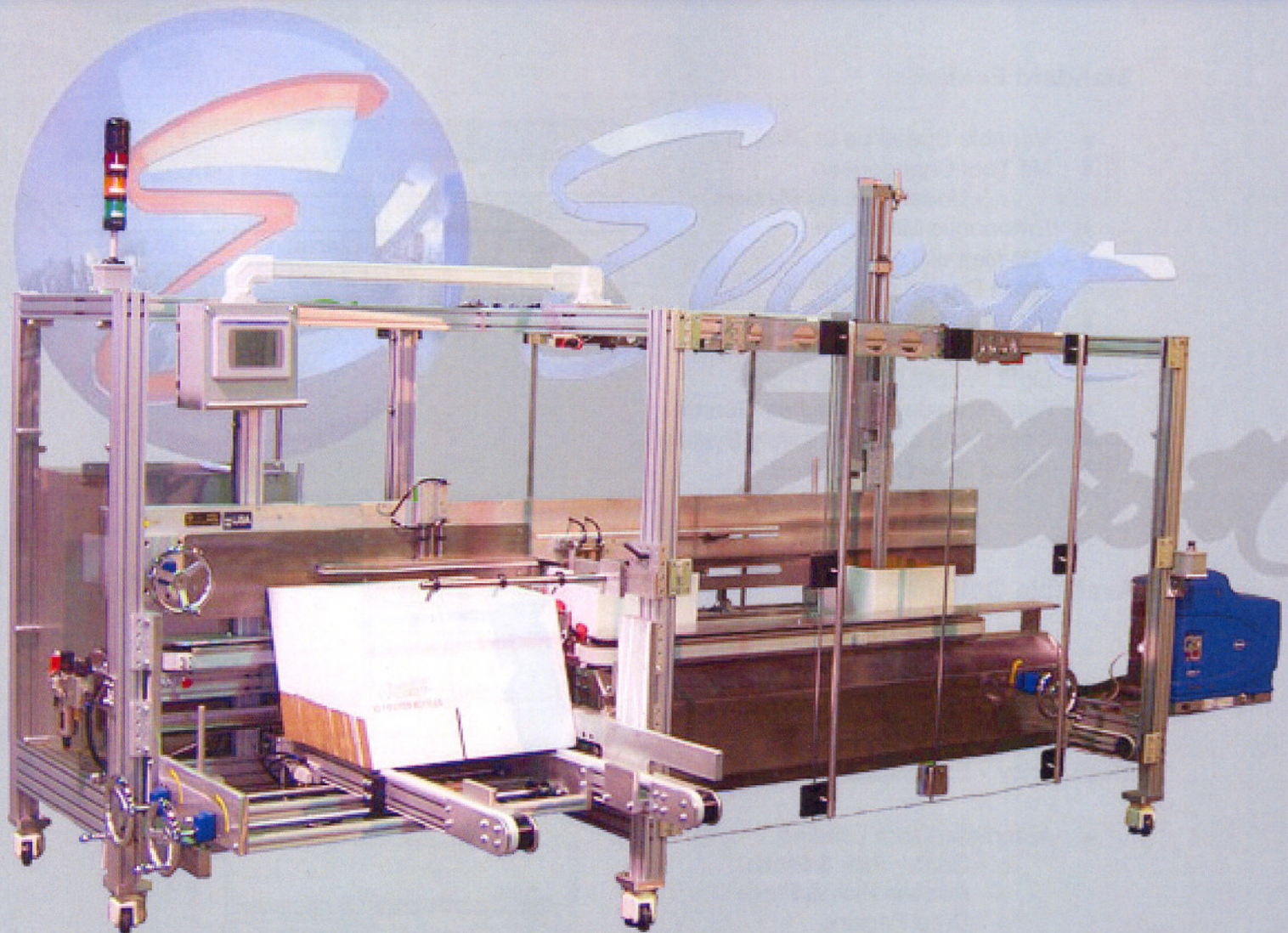


EV 350 HIGH SPEED CASE ERECTOR



The unique design of the EV 350 enables it to handle cases up to 35 cpm with continuous control of the case. Size changeover requires less than five (5) with automatic changeover available. A large case size range and small footprint with an open design for ease of access and scheduled preventive maintenance. The magazine is ergonomically friendly for your operators and handles a wide range of corrugated quality; it is easily convertible to automatic loading of your KD cases. The use of new materials available makes the frame of the EV 350 light, durable and very portable.



Elliott
MANUFACTURING

EV 350

High Speed Case Erector

Standard Features:

- Variable Speed up to 35 cpm
- No Tool Changeover-
 - Under Five (5) Minutes
- Ergonomic Magazine
- Hot Melt of Tape
- Open Design
- Minimal Maintenance
 - No Lube Design
- Light Weight Durable Frame
- Full Perimeter Interlocked Guards
- Category 3 electrical safety System
- Heavy Duty Construction
 - 24/7 Operation

EV 350 Standard Case Size Range		
SET UP:	MINIMUM:	MAXIMUM:
LENGTH	6" (15.24cm)	20" (50.8cm)
WIDTH	6" (15.24cm)	20" (50.8cm)
DEPTH	6" (15.24cm)	16" (40.6cm)

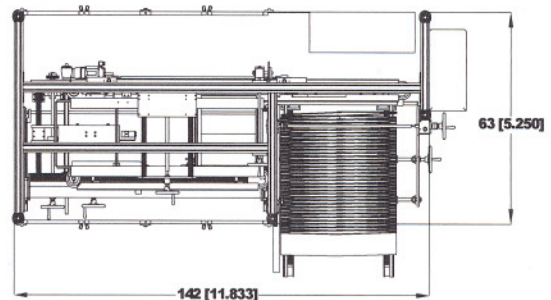
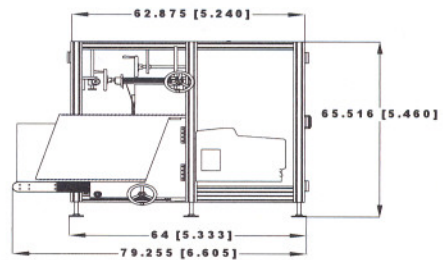
Available Options:

- Automatic Changeover
- Extended Case Magazine

Modularity - Expandable to include:

- Automatic Case Loading
 - Gantry Pick & Place
 - Robotic Pick & Place
 - Drop Packing
- Case Sealing
 - Tape or Glue

Machinery Specifications:



EV 350 AUTOMATIC HIGH SPEED
CASE ERECTOR BOTTOM SEALER

